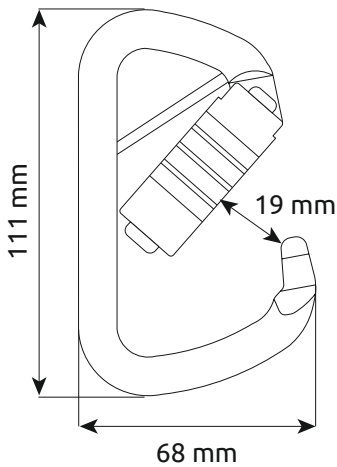
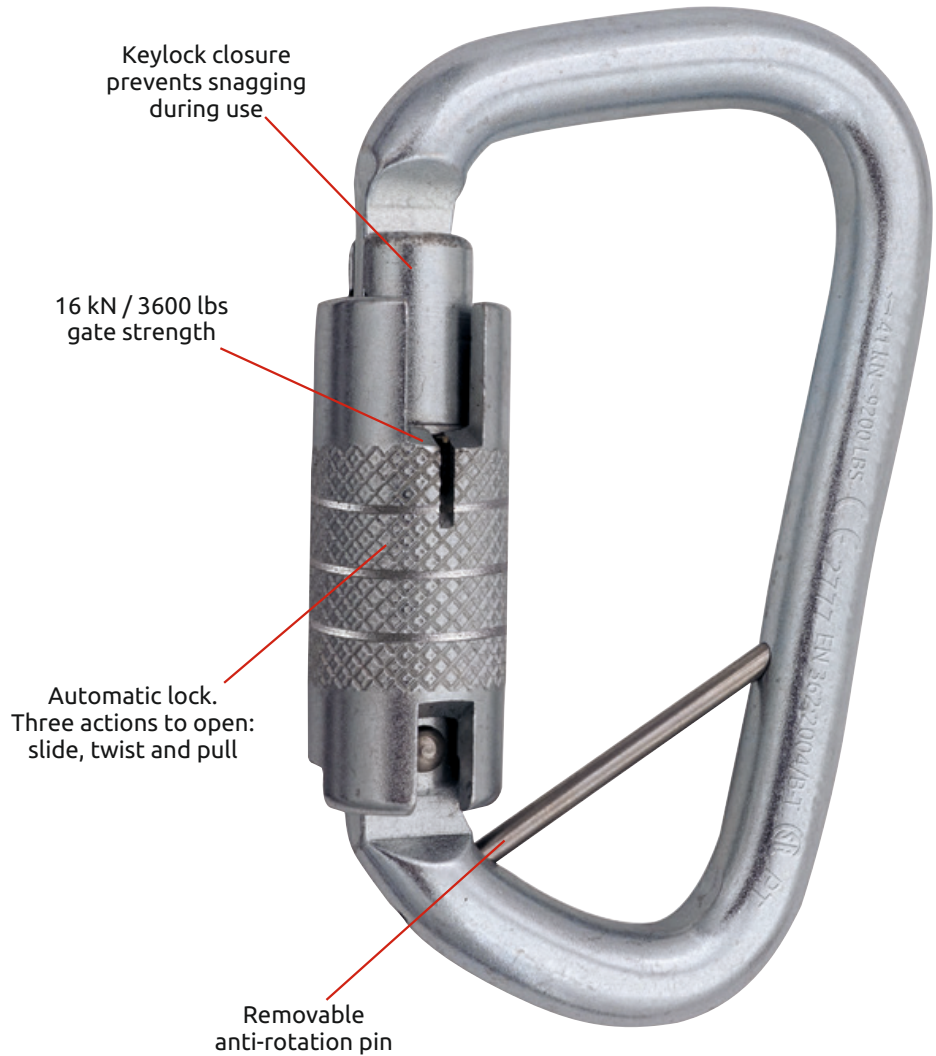


High strength steel carabiner equipped with removable anti-rotation pin.
 ANSI and CSA certified with 16 kN / 3600 lbs gate strength.
 Keylock closure prevents snagging during use.
 Automatic lock requires three actions to open: slide, twist and pull.



Ref.	Product name	Weight							CE	ANSI	
		g	oz	kN	kN	mm	mm	mm			
3106	D PLUS 3LOCK PIN	252	8.9	41	16	19	111	68	EN 362 B	Z359.12 •	Z259.12