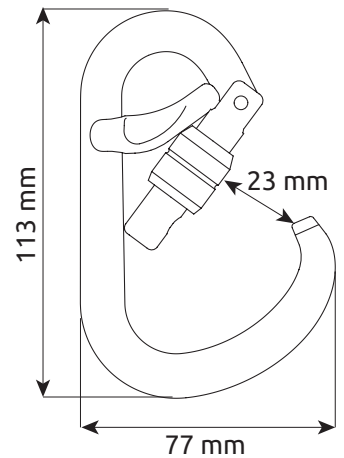


Aluminum alloy carabiner equipped with a internal lever that creates an inner ring that acts as a keeper for lanyards or energy absorbers. The system is designed to prevent unwanted rotation of the carabiner where it could be put in a compromised position. The wide, rounded shape of the body is ideal for bridging the connection between "A/2" double sternal attachment points on some full body harnesses. Keylock closure prevents snagging during use. Screw gate locking system.



Connection to the "A/2" attachment points of a full body harness and to a lanyard



Ref.	Product name	Weight								CE		EAC
		g	oz	kN	kN	kN	mm	mm	mm	EN 12275	EN 362	
1176	HMS BELAY LOCK	75	2.6	23	10	7	23	113	77	H	B/T	•