

TURBOFOOT EVO

FOOT ASCENDER

Ref. 3261 -3262

ROPE ACCESS, TREE CLIMBING

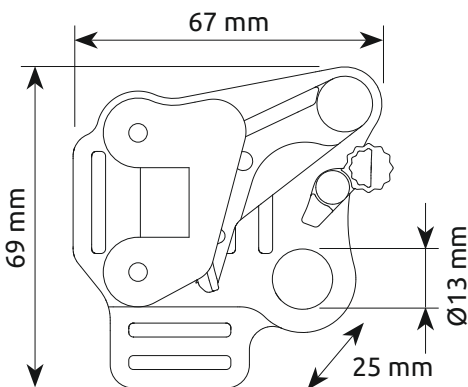
The beloved Turbofoot ascender gets an upgrade with the Turbofoot Evo. Integrated rollers deliver incomparable efficiency during climbing and low wear-and-tear on both the rope and on the ascender itself. Can be used in two different modes with the flick of a switch: free the cam to allow for immediate insertion and removal or lock the cam to prevent the possibility of accidental releases. The fastening straps adapt to any type of boot with auto-locking buckles for fast and secure adjustment. Mud and dirt can exit through special holes in the cam to help prevent build-up. Aluminum alloy main body. Precision cast stainless steel cam. Can also be used as a progress capture pulley (for material recovery purposes only, 50 kg max). For ropes from 8 to 13 mm. ATTENTION: the Turbofoot is intended for progression only and cannot be used as a life safety attachment.



Ref.3261 - Right



Ref.3262 - Left



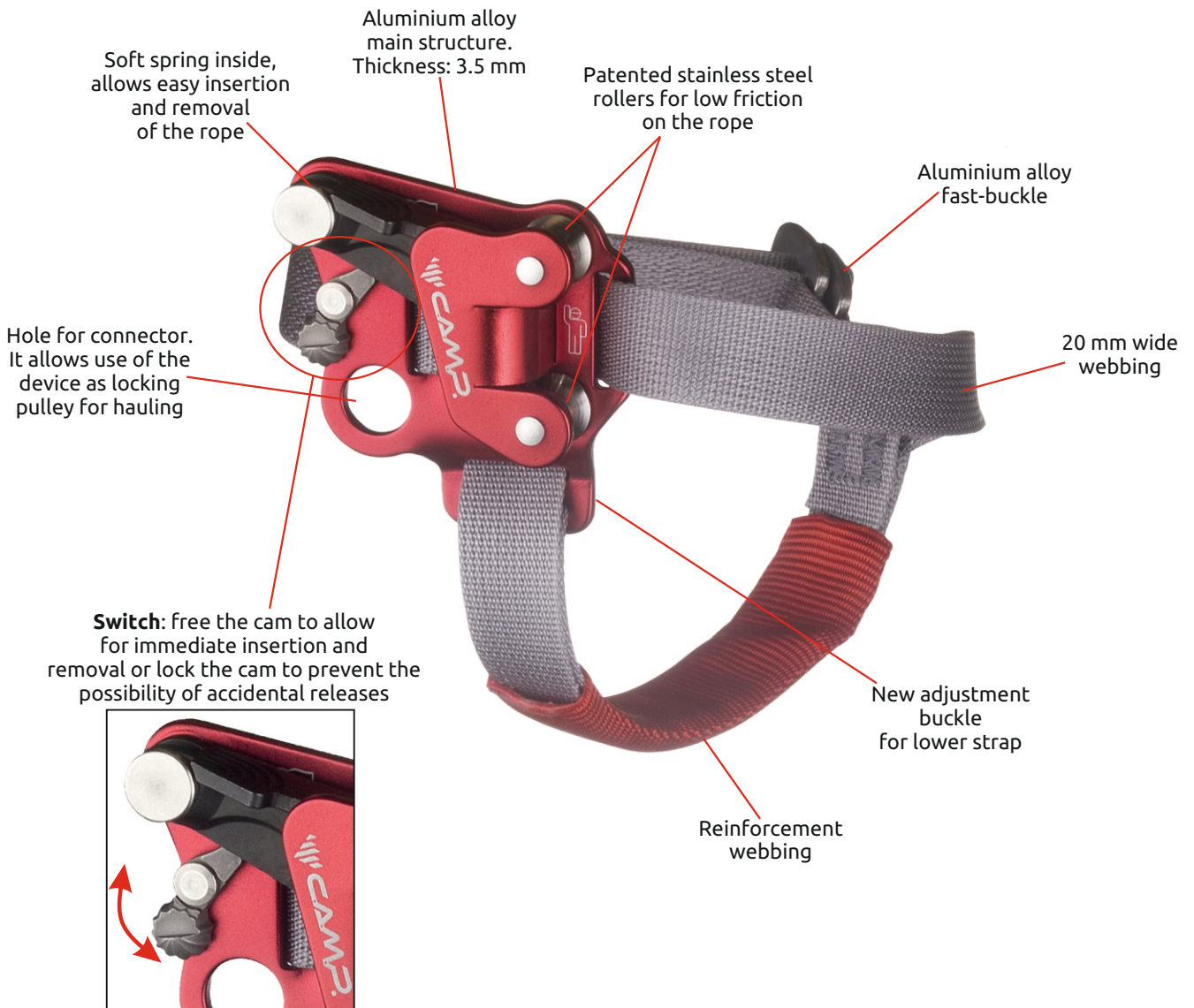
Ref.	Product name	Weight		Rope diameter	
		g	oz	Min - mm	Max - mm
3261	TURBOFOOT EVO RIGHT	150	5.3	8	13
3262	TURBOFOOT EVO LEFT				

TURBOFOOT EVO

FOOT ASCENDER

Ref. 3261 -3262

ROPE ACCESS, TREE CLIMBING



HAULING

50 kg MAX



Spare webbing harness for Turbofoot ascenders. Available in right and left.
2022 UPDATE: adjustment system is improved for better stability on the boot.

0776 Right

0777 Left



Ref.	Weight
	g
0776	50
0777	50